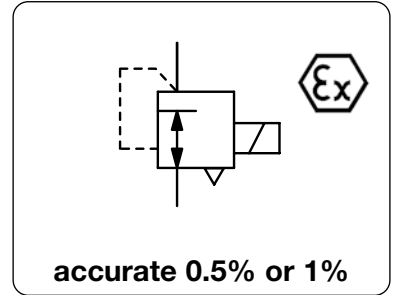


Description	The proportional pressure regulator translates a direct current or voltage input signal into a proportional pneumatic outlet signal. The valve uses proven moving coil and flapper nozzle technology with a built-in pneumatic relay with slight amplification and positive bias. Additional supply voltage is not necessary. The device has to be protected against vibration.
Media	5 µm filtered compressed air or non-corrosive gases
Supply voltage	not required
Electrical connector	plug according to DIN 43650A, contact gap 18 mm, 3-pin, with coupling socket 30 x 30 mm
Command signal	0...10 V / 1.1 kΩ at PT6...-B, otherwise 900 Ω 4...20 mA / 200 Ω at PT6...-0, otherwise 260 Ω
Failsafe	exhaust at power breakdown
Linearity	< 0.5 % FS at 0.2...2 bar, otherwise < 1% FS
Hysteresis	< 0.25% FS at 0.2...2 bar, otherwise < 1% FS
Adjustment	Zero point: by 0.3 bar Range: 40% FS
Temperature range	-30 °C to 65 °C / -22 °F to 149 °F
Material	Body: chromated aluminium Nozzle: sapphire in nickel-plated brass plate Elastomer: NBR/Buna-N Inner valve: stainless steel, brass, zinc-plated steel



Dimensions			Flow rate	Supply pressure	Command signal	Pressure range	Order number
A	B	C	l/min*1	max. bar	V/mA	bar	

Proportional pressure regulator 0-10 V							¼ NPT, depending on pressure range air consumption 2...8 l/min	PT600
57	93	13	250	8	0-10 V	0.2...1	PT600-B100	
						0.2...2	PT600-B200	
57	132	13	300	10	0-10 V	0...2	PT600-0200	
						0...4	PT600-0400	
						0...8	PT600-0800	

Proportional pressure regulator 4-20 mA							¼ NPT, depending on pressure range air consumption 2...8 l/min	PT602
57	93	13	250	8	4-20 mA	0.2...1	PT602-B100	
						0.2...2	PT602-B200	
57	132	13	300	10	4-20 mA	0...2	PT602-0200	
						0...4	PT602-0400	
						0...8	PT602-0800	

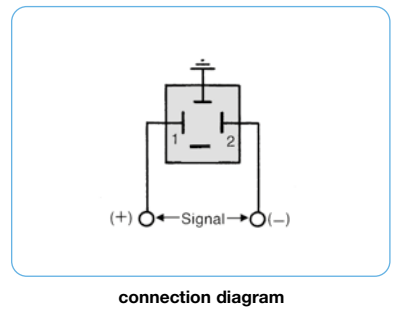
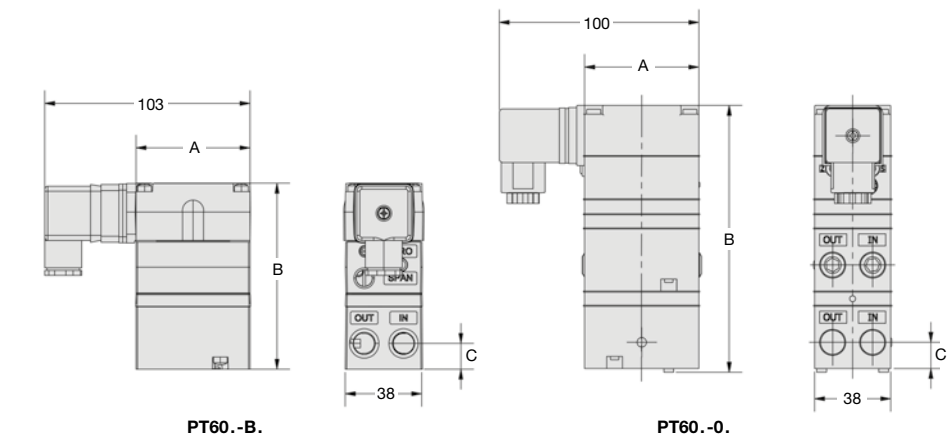
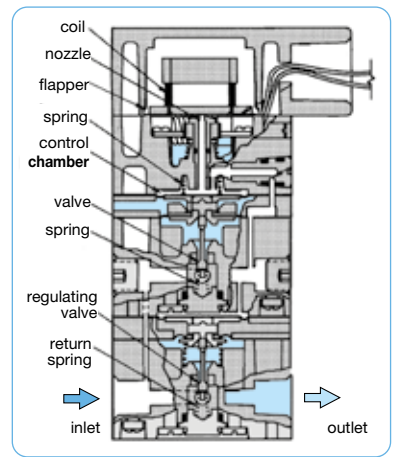


Special options, change the appropriate number

Ex-i-Atex	Atex II 1G Ex ia IIC T4	4-20 mA only	PT602-..01
------------------	-------------------------	--------------	------------

Accessories, enclosed

mounting bracket	made of steel, for standard version	SA-PT1
	made of steel, for Din rail	SA-PT2
isolate transmitter	Ex ia II C, E/A: 0-20 mA, 24 V DC, EX 1-32	KFD2-CD



*1 at 7 bar supply pressure and 1.4 bar outlet pressure

* Product group

Order example: PT600-B100

PDF CAD
www.aircom.net